



Features

- Ultra Wide Band
- Low Insertion Loss
- High Directivity
- Stable Performance
- Customization Available Upon Request

Applications

- Radar Systems
- Communication Systems
- Receivers Systems



Electrical Specifications (TA=25°C)

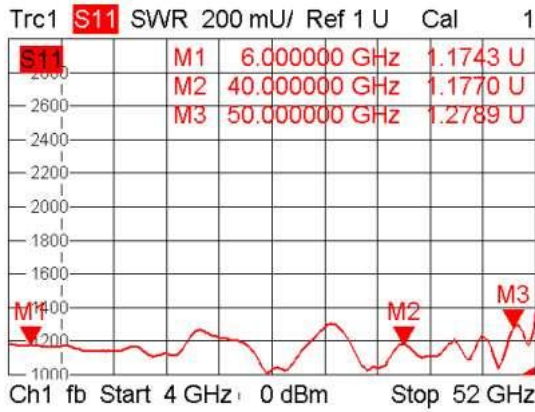
Parameter	Min.	Typ.	Max.	Unit
Frequency		6-50		GHz
Insertion Loss		1.1	1.4	dB
Normal Coupling		16		dB
Coupling Accuracy		±0.3	±0.8	dB
Frequency Sensitivity		±0.5	±0.8	dB
Directivity	10	14		dB
VSWR		1.5	1.8	-
Power Handling		20		W
Impedance		50		Ω
Input / Output Connectors	2.4mm-Female			
Material	Aluminum			
Weight	30.9 g / 1.09 Ounces Max.			
Package Sealing	Black Color (Standard)			

Environmental Specifications

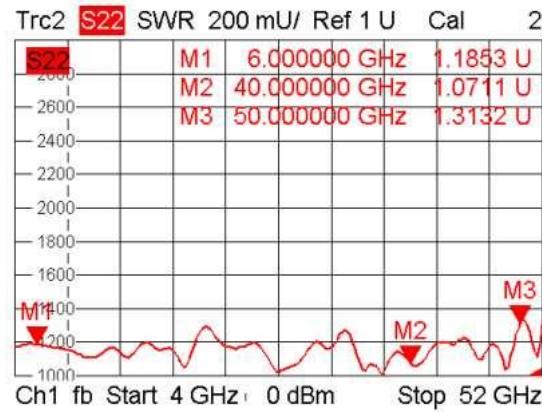
Operating Temperature	-55 to +85°C
Storage Temperature	-55 to +100°C

Test Curves

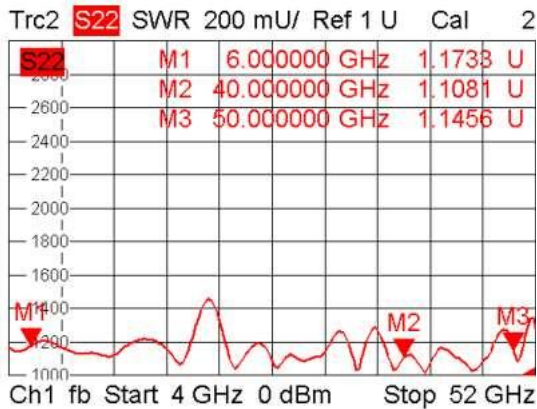
IN-Port VSWR



OUT-Port VSWR



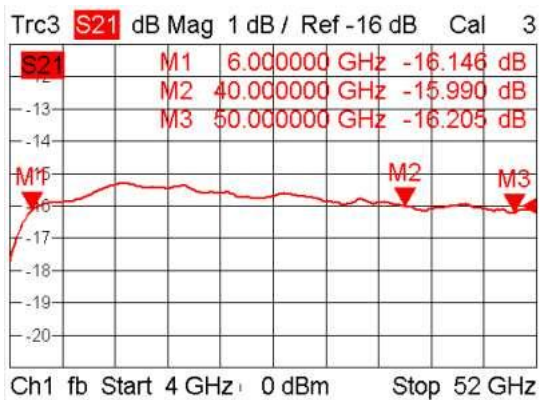
Coupling-Port VSWR



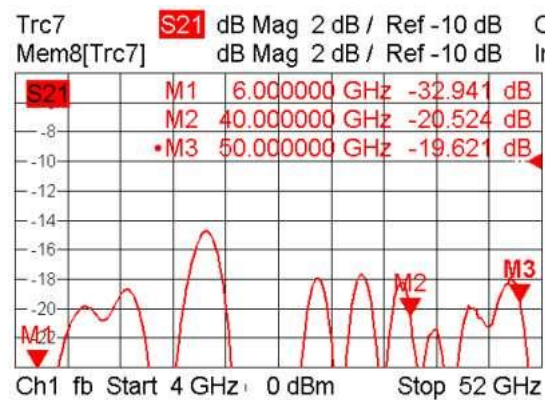
Insertion Loss



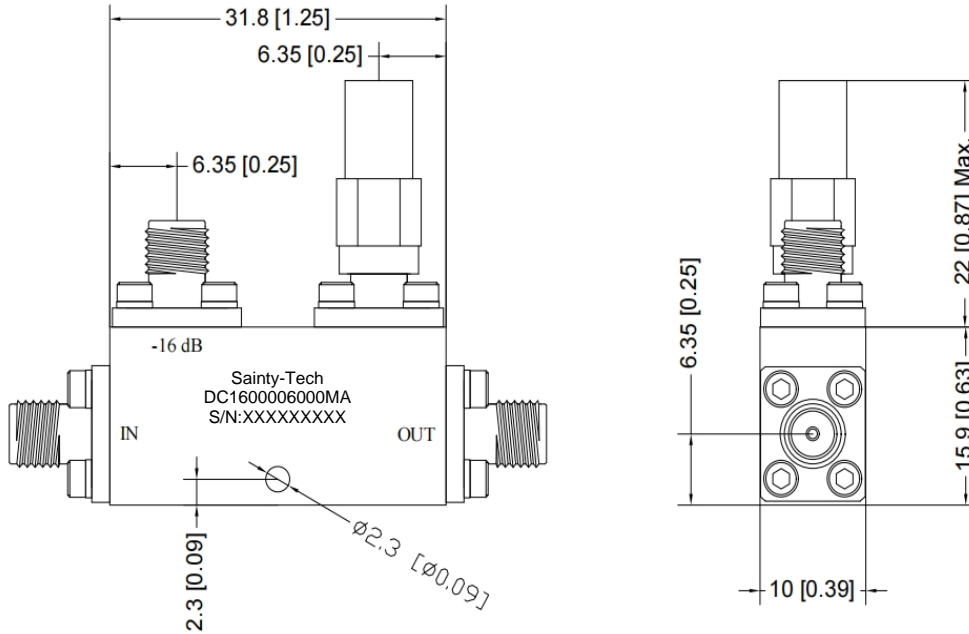
Coupling



Directivity



Outline Drawing



Unit: mm [inches]

Outline Tolerance: ± 0.25 [0.01]

Note

1. The product is designed to meet environmental ratings but not tested. If you need to test environmental condition, please contact our sales department.
2. Sainty-Tech Communications Limited reserves the right to change the above information without notice.